

Classic CL4500SAC 4.5 Tonne Clearfloor

Classic CL4500SAC

- The 2 Post Hoist Classic CL4500SAC represents the absolute best value for the customer who demands a heavy-duty professional-grade two-post lift at the lowest possible price with Asymmetric/Symmetric Arm Design and a Lifting Height of 2149MM.
- Classic has been manufacturing the CL4500SAC two post Clearfloor lifts for over a decade. Thousands sold! This commercial-grade Classic CL4500SAC two-post lift includes some modifications and improvements that make it one of the most popular Clear Floor lifts in the world.
- The Classic CL4500SAC is the perfect choice for use in either a large commercial workshop or Home Garage.
- The Classic CL4500SAC is designed and engineered to safely Hoist and work on everything from a Smart Car to a one-ton diesel dually.

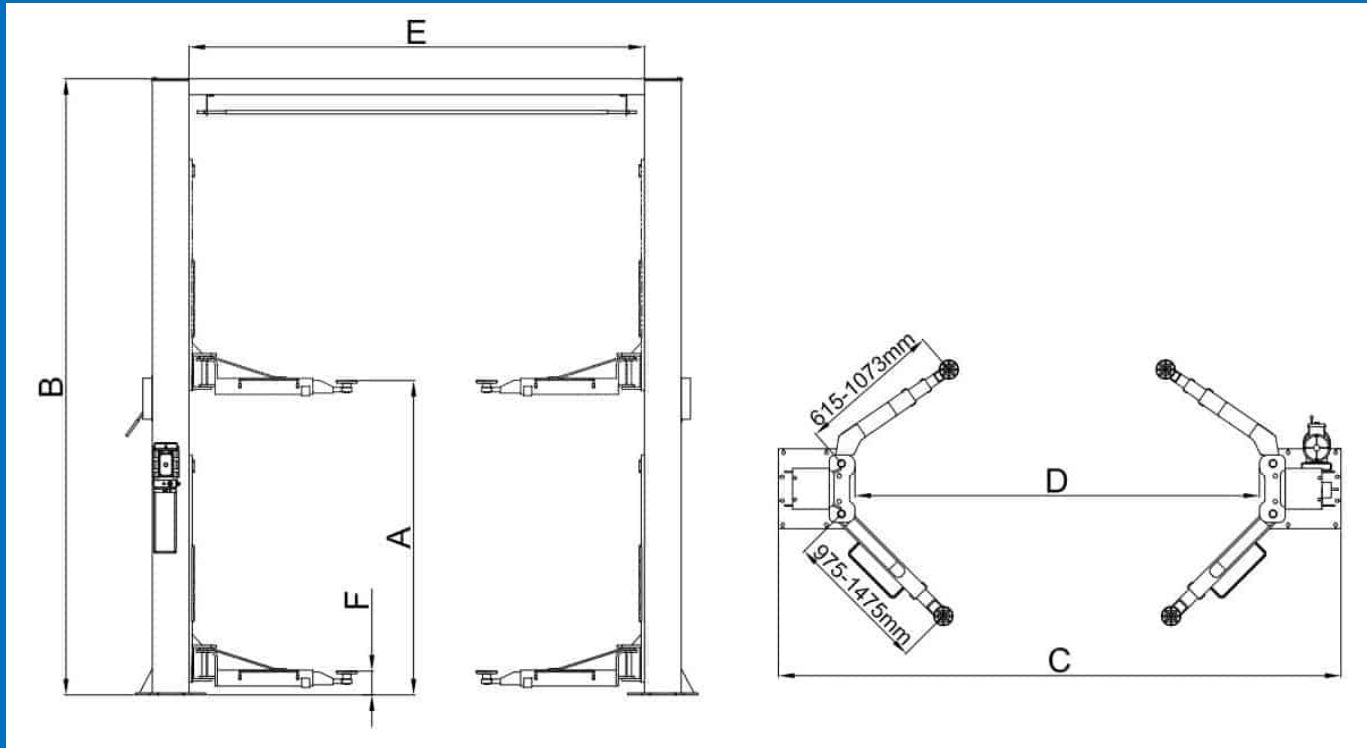




Classic CL4500SAC Special Features

- 10,000 Lb. Capacity
- Dual hydraulic direct-drive cylinders, designed and made on ANSI standard, high-quality NOK seals.
- 3/8" aircraft quality cable is used for synchronization
- Self-lubricating UHMW Polyethylene sliders and bronze bush
- Single-point safety release, and dual safety design
- Clearfloor design, provide unobstructed floor space
- Overhead safety shut-off device
- Adjustable double screw lift pads are included with the Classic CL4500SAC.
- Both Symmetric and Asymmetric arms configuration
- Automatic arms restraints
- Registered with Worksafe

Classic CL4500SAC Specification



Model	Classic CL4500SAC	Asymmetric	Direct-driven
Lifting Capacity	4500kg (10,000 lbs)		
Lifting Time	61 Seconds		
Lifting Height	A	1915-2144mm	
Overall Height	B	3854mm	
Overall Width	C	3516mm	
Drive-Thru Clearance	D	2560mm	
Width Between Columns	E	2850mm	
Minimum Pad Height	F	90mm (
Gross Weight	769Kg (1,695 lbs)		
Motor	3.0HP		